



# VNL-G2



VNL-G2+2

## FACTORY SERIES

### VNL-G2 COMPATIBLE WITH: CML-B4

	200 kg
	47 kg

### VNL-G2+2 COMPATIBLE WITH: CML-B4

	200 kg
	55 kg



\* HOIST NOT REQUIRED

\* ELEVATION BY MEANS OF PNEUMATIC PISTON

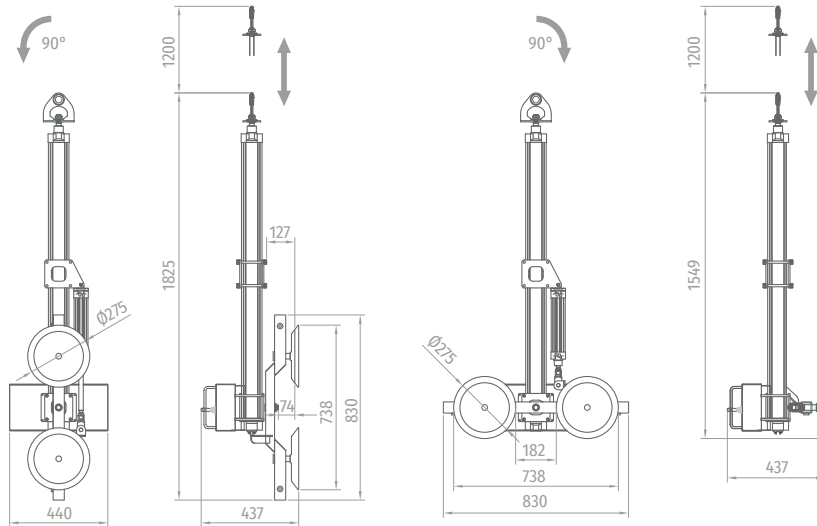


**AIR** 7 bar 200 l/min

 40 L/min

 0° - 90°

## VNL-G2



## VNL-G2+2

