

FF5-3500

HANDLING

FF5-3500







3500 kg



660 kg

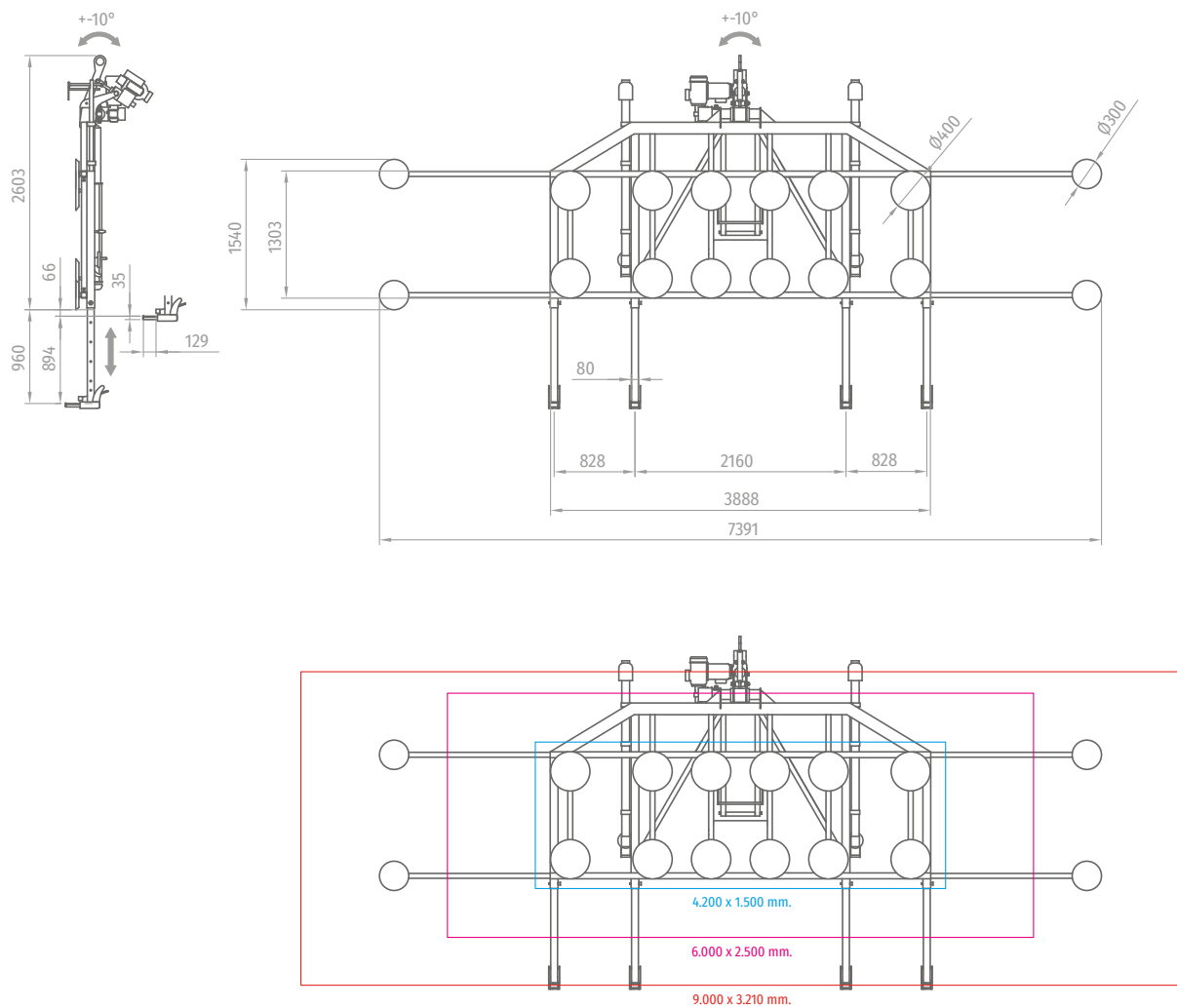


kW	480 W
	3 m
	OPTIONAL

	200 - 500 VAC (50 - 60 Hz) Thriphase/Monopahse
	166 L/min
	OK
	OK

• CMU (EN13155) SIN ALARGOS: 3000Kg
 CMU (EN13155) WITHOUT EXTENSIONS: 3000Kg

• CMU (EN13155) CON ALARGOS: 3500Kg
 CMU (EN13155) WITH EXTENSIONS: 3500Kg



INCLUDED

- LOAD LEVELING SYSTEM $\pm 10^\circ$
- LOAD TILT SYSTEM $\pm 10^\circ$