

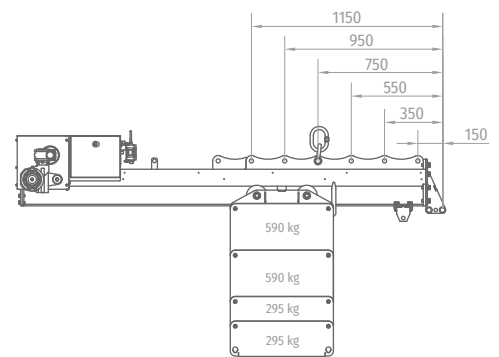
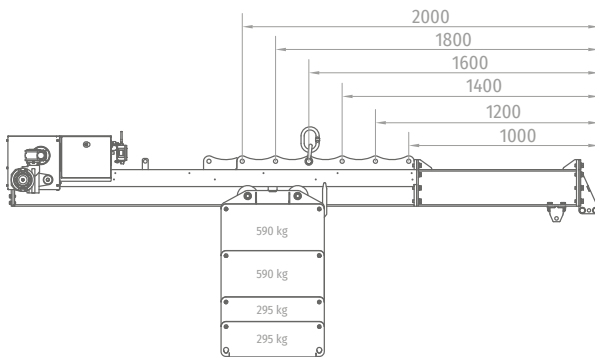
CW1-3400

WORK SERIES

CW1-3400 COMPATIBLE WITH: VS1 - VS2 - VR2 - VR3 - VR4 - VR136 - XL1 - XL2 - XL3- XE1 - XE2




2000 kg




MODEL	N° CONTERWEIGHT BLOCK		TARE (kg)	MAXIMUM LOAD ACCORDING TO CANTILEVER					
	BCW-L (590Kg)	BCW-S (295Kg)		260	1000 mm	1200 mm	1400 mm	1600 mm	1800 mm
	2	2	230	150 mm	350 mm	550 mm	750 mm	950 mm	1150 mm
			2030	2000 kg	2000 kg	2000 kg	1550 kg	1200 kg	900 kg
	2	1	1735	2000 kg	2000 kg	1700 kg	1300 kg	1000 kg	750 kg
			1705	2000 kg	2000 kg	2000 kg	2000 kg	1900 kg	1300 kg
	2	0	1440	2000 kg	1750 kg	1350 kg	1000 kg	800 kg	600 kg
			1410	2000 kg	2000 kg	2000 kg	2000 kg	1500 kg	1000 kg
	1	1	1145	1700 kg	1300 kg	1000 kg	750 kg	600 kg	450 kg
			1115	2000 kg	2000 kg	2000 kg	1600 kg	1100 kg	750 kg
	1	0	850	1100 kg	850 kg	650 kg	500 kg	400 kg	300 kg
			820	2000 kg	2000 kg	1500 kg	1050 kg	750 kg	500 kg

kW 150 W

 220 VAC (50 - 60 Hz)

 3 m

 OK

 OPTIONAL

CW1-3400

