
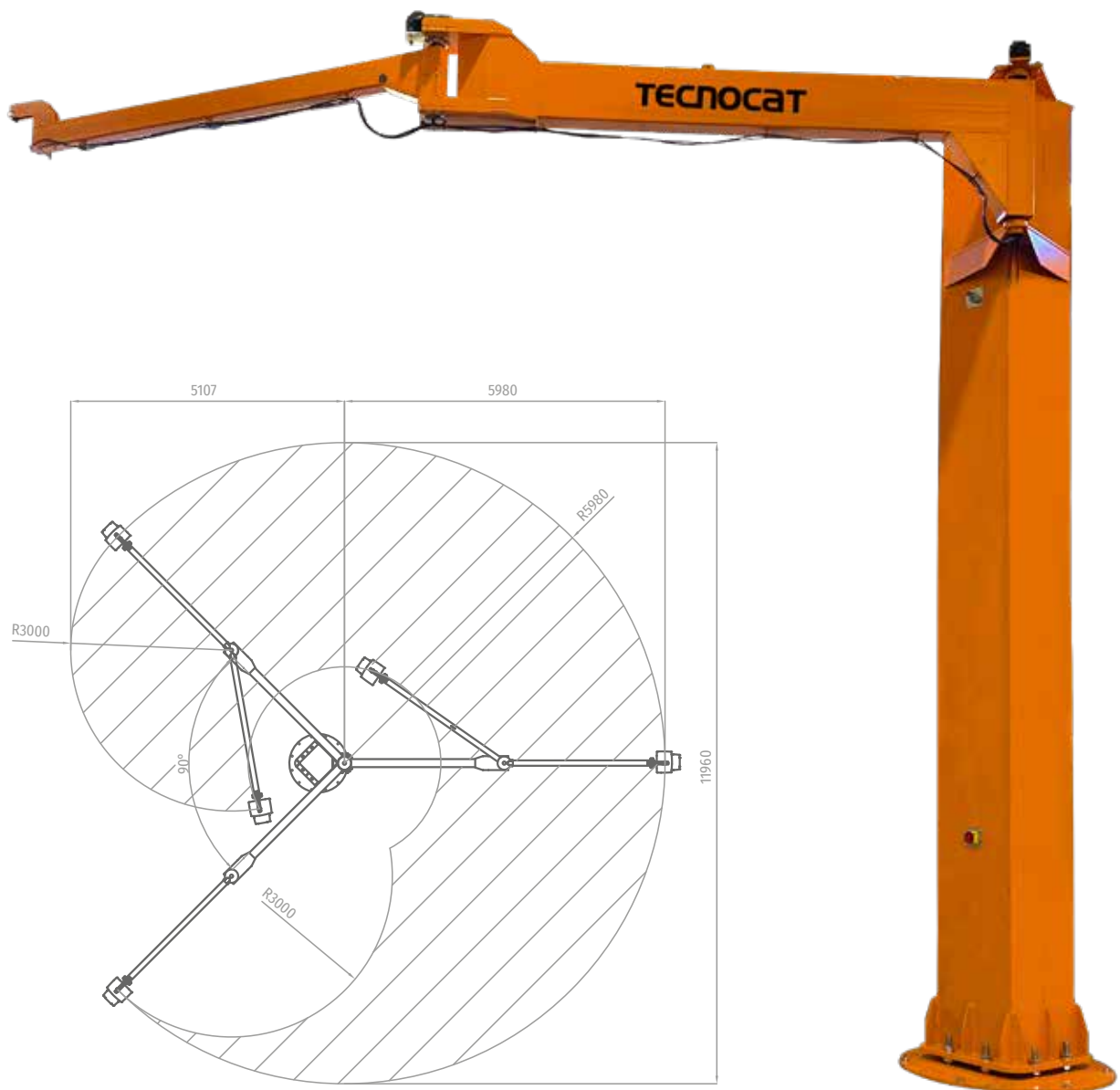


CML-B6-500

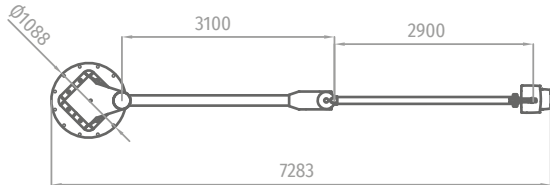
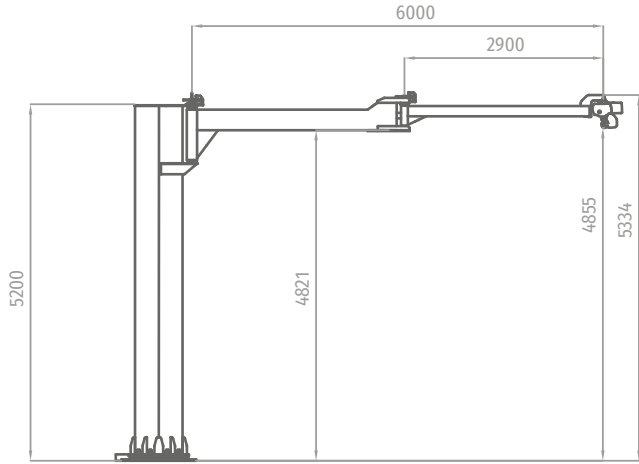
ELEVATION SYSTEMS

CML-B6-500 (MP) METAL PLATE

	500 kg
	+ 270°



CML-B6-500 (MP) METAL PLATE



CML-B6-500 (WA) WALL

